

**easYgen-1400 / easYgen-1600 / easYgen-1700 | easYgen-1800**

**easYgen-1400**

**easYgen-1600**

**easYgen-1800**

## Automatic Mains Failure Control

**Do you package gensets, build switchgears or integrate systems?** With several decades of experience in genset control technology, Woodward's easYgen family offers a one-stop-shop solution for all of your genset control needs. easYgen family genset controls cover the full range of generator system applications, ranging from simple functions, such as start/stop of a genset to complex ones, like synchronizing and power management of large fleet of gensets.

### DESCRIPTION

The Woodward easYgen-1000 series is designed for a single-generator set used in critical stand-by or prime power applications with automatic changeover capability. The controllers include purpose-built algorithms and logic to start, stop, control, and protect the genset, open/close circuit breakers and mains supply monitoring with automatic changeover. Equipped with state-of-the-art communication interfaces, Woodward's easYgen-1000 Series of AMF genset controllers provides exceptional versatility and value for OEM genset packagers.

The easYgen-1000 Series is available in four versions:

- **easYgen-1800**, advanced AMF controller comes with a large liquid crystal display (LCD), I/O expansion capability, Ethernet and SD card connectivity
- **easYgen-1700**, based on easYgen-1800 platform, easYgen-1700 offers all the capabilities except Ethernet and SD card connectivity and a 240x128 pixels Monochrome LCD in same size.
- **easYgen-1600**, compact AMF controller offers a state of the art LCD, adequate on-board I/Os and common industrial connectivity
- **easYgen-1400**, small AMF controller contains a big liquid crystal display (LCD), configurable I/Os and electronic engine support.

**ToolKit-SC** is a single service tool for configuring easYgen-100 and -1000 series controllers. The module's password-protected integral front panel lets you adjust various parameters on-site.

### FEATURES

- Three-phase true RMS power sensing
- Operation modes: AUTO, STOP, and MANUAL modes accessible through front panel, discrete inputs or via interfaces
- Remote control via multiple interfaces and discrete inputs
- Direct support of several ECUs, such as Bosch, Cummins, John Deere, MTU, Perkins, Scania, Volvo, Woodward
- Dedicated relay outputs for cranking and fuel solenoid
- Event and data logging capabilities with real time clock
- Maintenance scheduler with multipurpose flexible timers
- Operating hours, start, maintenance counters and monitoring
- Three switchable parameter sets of AC system winding, Rated Voltage, Rated Frequency, Rated Current, Rated Power, Rated Speed
- Can be configured from computer via USB or from front panel with password protection
- Manual breaker operation with tactile buttons on front panel
- Custom boot-up logo with adjustable screen display time
- Multilingual customizable user interface

#### easYgen-1800 Unique Features

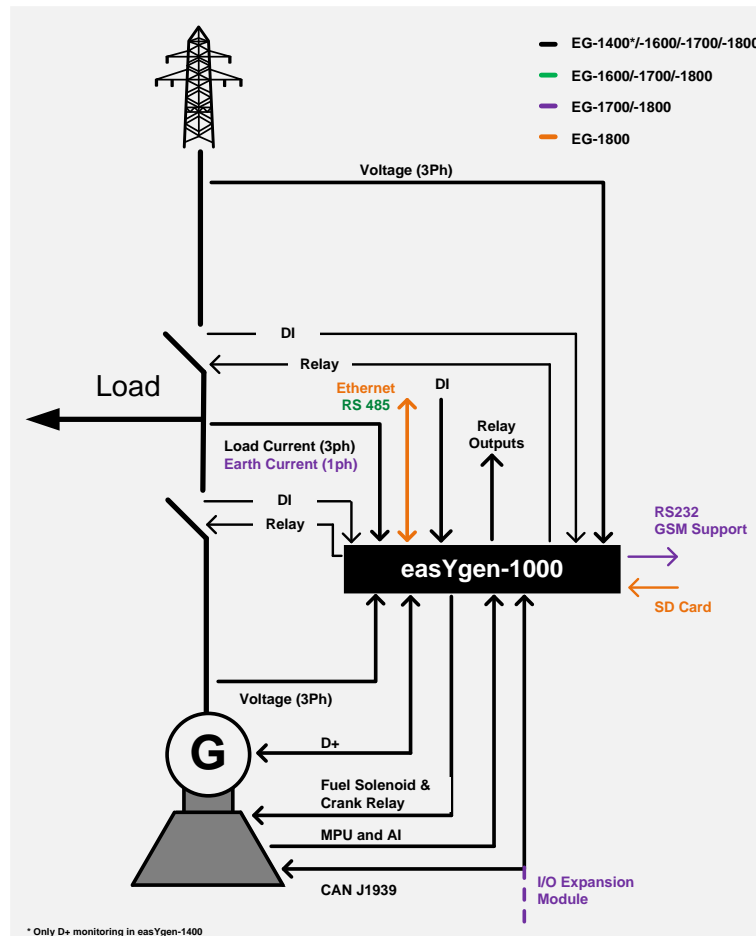
- ✓ Large LCD display for enhanced user experience
- ✓ Built-in Ethernet for remote control, browser based visualization, and service tool connectivity
- ✓ SD card slot for life long data log

- **Standard break-before-make application in**
  - Stand-by operation
  - AMF (Automatic Mains Failure) operation
  - ATS (Automatic Transfer Switch) operation
  - Rental power operation
  - Peak shaving operation
- **Easy to set up and commission**
- **Best in class large liquid crystal display**
- **Comprehensive engine, generator and utility protection**
- **Engine ECU interface to electronic engines**
- **Programmable I/Os**
- **Six communication ports: Ethernet TCP/IP, CAN J1939, RS-485, RS232, USB, SD card slot**
- **Dedicated relays for engine and breaker interface**
- **Switchable parameter sets for mobile genset applications**
- **Event log and event-triggered data log**

# SPECIFICATIONS

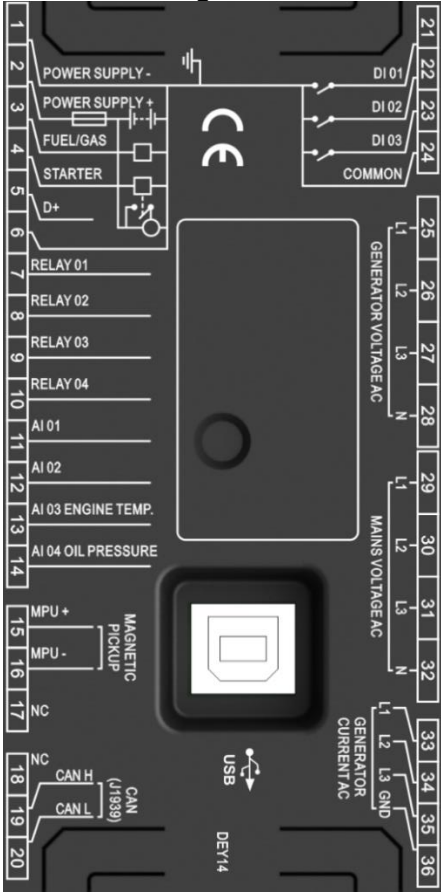
<b>Power Supply</b>		Excitation current D+ (easYgen-1600, -1700 and -1800)	110 mA (12 V); 230 mA (24 V)
Operating Voltage (Reverse polarity protected)	8.0 V <sub>DC</sub> to 35.0 V <sub>DC</sub> , Continuous Power Supply.	Start Relay and Fuel Relay Outputs	Rated 10Adc, 24Vdc running stand-alone. Rated 5Adc, 24Vdc when running together. (easYgen-1600/1700/1800 only) Rated 2Adc at 24Vdc (acc. to UL 6200)
Maximum supply voltage	Short Time 80 V (5-10 s); Long T. 50 V	<b>Housing</b>	
Minimum supply voltage	6.5 V	Case Dimensions	easYgen-1700/1800: 237 x 172 x 45 mm easYgen-1600: 209 x 166 x 45 mm easYgen-1400: 135 x 110 x 44 mm
Maximum operating current (easYgen-1800)	(All relays closed, LCD bright) 450 mA (12 V); 220 mA (24 V)	Panel Cutout	easYgen-1700/1800: 214.5 x 160.5 mm easYgen-1600: 187.5 x 142.5 mm easYgen-1400: 116.5 x 90.5 mm
Maximum standby current (easYgen-1800)	(All relays closed, LCD dimmed) 420 mA (12 V); 200 mA (24 V)	Operating Conditions	Temperature: (-25 to +70) °C; Humidity: max. 93%, noncondensing
Power Consumption	<4 W (standby ≤ 2 W)	Storage Condition	Temperature: (-25 to +70) °C Humidity: max. 93%, noncondensing
<b>Alternator Input Range</b>		Protection Level	IP65 in the front, mounted with kit IP20 on rear side
3-Phase 4-Wire	50 Hz/60 Hz	Net Weight	easYgen-1400: 0.3 kg easYgen-1600: 0.56 kg easYgen-1700/-1800: 0.85 kg
3-Phase 3-Wire	AC15V – AC173V (ph-N) (according to UL6200)		
Single-Phase 2-Wire	AC15V - AC360V (ph-N) (according to EN61010)		
2-Phase 3-Wire			
<b>AC-Measurement</b>			
Voltage Accuracy	1% when V > AC100V		
Minimum frequency	Generator: 10 Hz; Mains: 27 Hz		
Maximum frequency	Generator: 99.5 Hz; Mains: 99.5 Hz		
Frequency resolution	0.1 Hz (10...99 Hz)		
Frequency accuracy	±0.1 Hz		
Nominal CT secondary rating	5 A		
Overload Measurement	Max.: 10 A		
Current Accuracy	1 %		

# APPLICATION

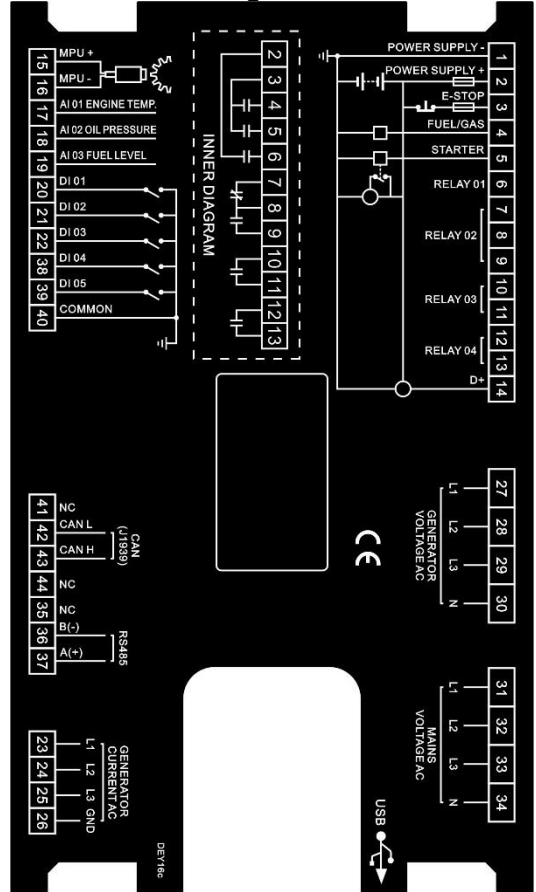


# TERMINAL DIAGRAM

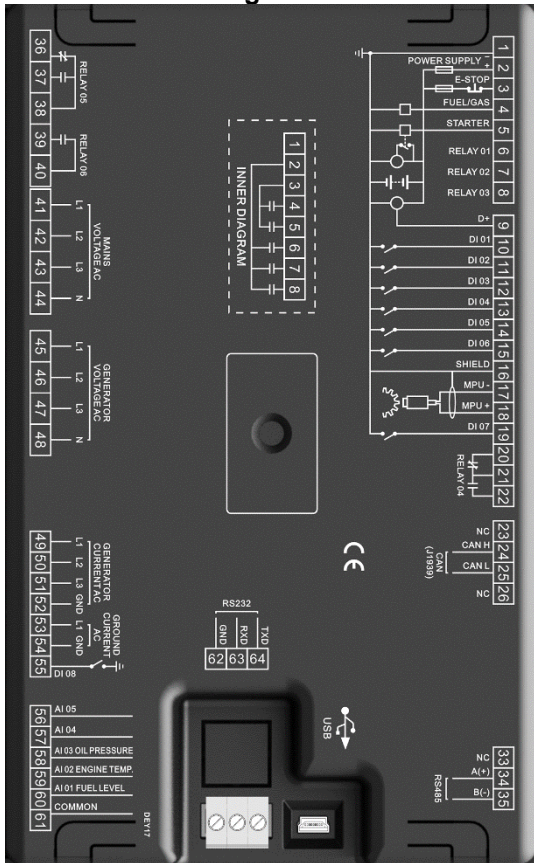
easYgen-1400



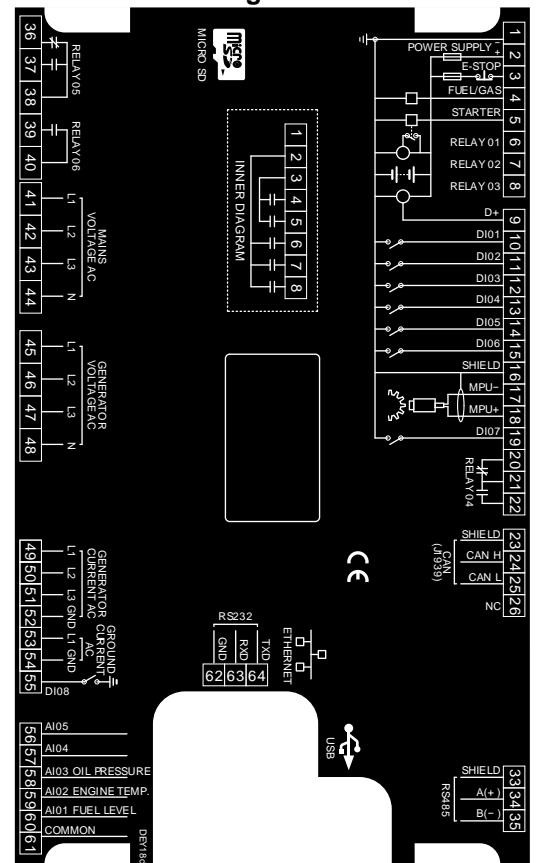
easYgen-1600



easYgen-1700



easYgen-1800



**CONTACT**
**North & Central America**

Tel.: +1 (208) 278 3370  
 Tel.: +1 (970) 962-7272  
 ✉ SalesPGD\_NAandCA@woodward.com

**South America**

Tel.: +55 19 3708 4760  
 ✉ SalesPGD\_SA@woodward.com

**Europe**

Tel. Stuttgart: +49 711 78954 510  
 Tel. Kempen: +49 2152 145 331  
 ✉ SalesPGD\_EMEA@woodward.com

**Middle East & Africa**

Tel.: +971 (2) 678 4424  
 ✉ SalesPGD\_EMEA@woodward.com

**Russia**

Tel.: +49 711 78954-515  
 ✉ SalesPGD\_EMEA@woodward.com

**China**

Tel.: +86 512 8818 5515  
 ✉ SalesPGD\_CHINA@woodward.com

**India**

Tel.: +91 124 4399 500  
 ✉ Sales\_India@woodward.com

**ASEAN & Oceania**

Tel.: +49 711 78954 510  
 ✉ SalesPGD\_ASEAN@woodward.com

[www.woodward.com](http://www.woodward.com)

Subject to alterations, errors excepted.

Subject to technical modifications.

This document is distributed for informational purposes only. It is not to be construed as creating or becoming part of any Woodward Company contractual or warranty obligation unless expressly stated in a written sales contract.

We appreciate your comments about the content of our publications. Please send comments including the document number below to [stgt-doc@woodward.com](mailto:stgt-doc@woodward.com)

© Woodward  
 All Rights Reserved

For more information contact:

# FEATURES OVERVIEW

<b>EASYGEN 1000</b>		<b>easYgen-1000 Series</b>			
		Model	easYgen-1400	easYgen-1600	easYgen-1700
<b>Measuring</b>					
Generator voltage (3-phase/4-wire)					
Load current (3x true r.m.s.)					
Mains voltage (3-phase/4-wire)					
Earth current (1x true r.m.s.)					
<b>Control</b>					
Mains supply monitoring and automatic changeover					
GCB and MCB control					
Start/stop sequence for diesel and gas engines					
Isolated single unit operation					
AMF (Automatic Mains Failure operation)					
Stand-by operation					
Open transition (break-before-make)					
ATS (Automatic Transfer Switching)					
<b>Protection</b>					
Generator	Voltage / # of level	✓ / 1		✓ / 2	
	Frequency / # of level				
	Voltage asymmetry	—		✓	
	Rotation field	—		✓	
	Current	✓	✓	✓	✓
	Overload	✓	✓	✓	✓
	Reverse Power	—	—	✓	✓
Mains	Earth fault (measured)	—	—	✓	✓
	Voltage	✓	✓	✓	✓
	Frequency	—	—	✓	✓
Engine	Voltage asymmetry	—	—	✓	✓
	Rotation field	—	—	✓	✓
	Over speed / # of level	✓ / 1		✓ / 2	
Battery voltage	Under speed / # of level	✓ / 1		✓ / 2	
	Speed signal	✓	✓	✓	✓
	Crank disconnect	✓	✓	✓	✓
<b>HMI, Counters, and Event Log</b>					
Integral display with tactile buttons		Monochrome LCD (132 x 64)	Monochrome LCD (132 x 64)	Monochrome LCD (240 x 128)	TFT LCD (480 x 272)
Customizable power-up text and image		✓	✓	✓	✓
Front panel configuration with PIN protection		✓	✓	✓	✓
Flush mounting		✓	✓	✓	✓
Operating hours/start/maintenance counters		✓	✓	✓	✓
Event recorder with real time clock		50	50	99	99 internal; extended data log using SD card
kWh, kvarh		✓/-	✓/-	✓/✓	✓/✓
Switchable parameter sets		—	—	✓	✓
<b>I/Os and Interfaces</b>					
Discrete inputs		3 (+2 switchable as AI/DI)	1x E-Stop, 5x configurable	1x E-Stop, 8x configurable	1x E-Stop, 8x configurable
Relay outputs		6	6	8	8
Analog inputs		4x resistive (2 switchable as AI/DI)	3x resistive	4x resistive, 1x resistive/current/volt	5x resistive
Speed input (MPU)		1	1	1	1
Aux. excitation (D+)		1	1	1	1
Ethernet (TCP/IP)		—	—	—	1
CAN (J1939)		1	1	1	1
External DI/DO via CAN bus		-/-	-/-	16 / 16	16 / 16
USB service port		1	1	1	1
RS485		—	1	1	1
RS232		—	—	1	1
Micro SD card support		—	—	—	1
<b>Listings/Approvals</b>					
CE Marked, EAC					
UL / cUL Listing					
<b>Part Numbers</b>					
Control with connectors and fastening kit		8440-2251	8440-2253	8440-2256	8440-2255
Spare connector kit		10-009-352	10-004-674	10-004-675	10-004-675

**RELATED PRODUCTS**

- Configuration tool **ToolKit-SC** (Product Specification # 37695): P/N 9927-2684
- I/O Expansion Board **IKD1** (Product Specification # 37171): P/N 8440-2116
- Small Engine Control Module **SECM-70** (Product Specification # 36363)